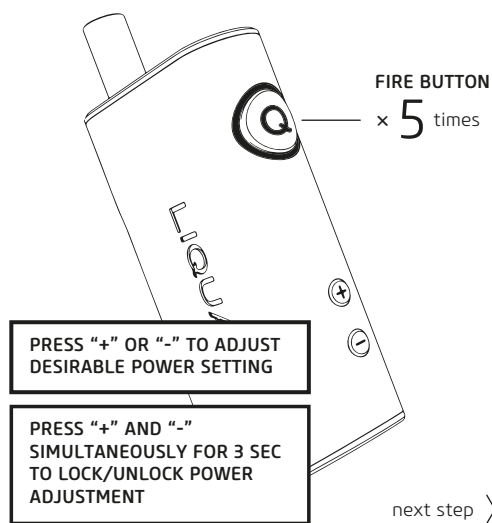


LIQUA™ QUBE™

Thank you for choosing the LIQUA QUBE™.
You've made a great decision!

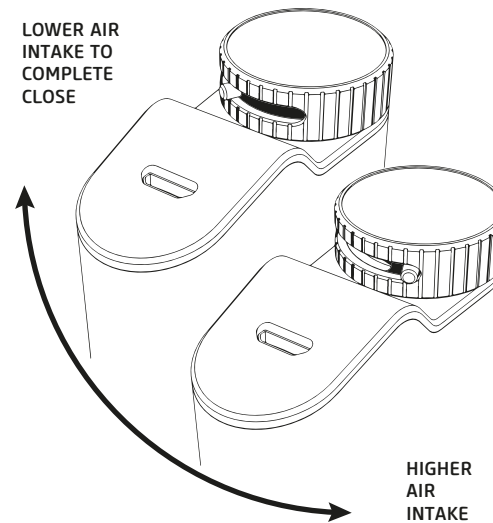
HOW TO START

- Recharge a battery full before first use
- Unlock the battery.
Press the fire button 5 times within 2 seconds



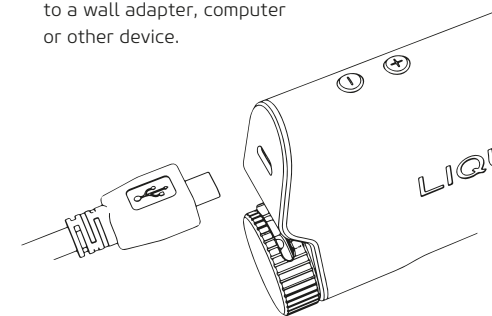
- Refill with e-liquid (see below)
- Inhale from mouthpiece while pressing the Fire button.
- Puff time limited to 10 seconds for safety purposes.
- Adjust airflow by airflow regulator

LOWER AIR INTAKE TO COMPLETE CLOSE



HOW TO RECHARGE A BATTERY

- LIQUA QUBE™ is equipped with 800mA Micro-USB cord.
- Connect cable to the QUBE, and the USB port to a wall adapter, computer or other device.

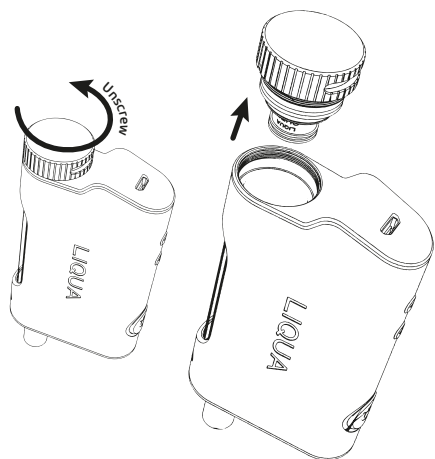


- You can vape while charging the battery (if your charger is powerful enough).
- Display large full charged battery with "recharge complete"
- Never leave QUBE charging unattended!
Low quality chargers have a risk of overheating and starting a fire.

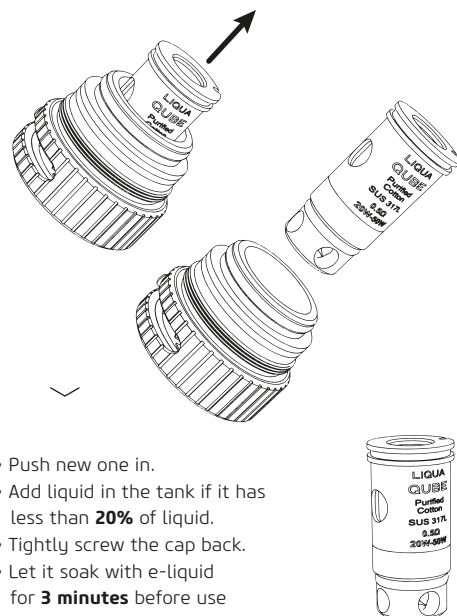
HOW TO REPLACE THE ATOMIZER

If flavor taste has changed or after 250ml of liquid used.

- Unscrew the cap and pull it out.



- Pull out the atomizer head from the cap, it has no screw!



- Push new one in.
- Add liquid in the tank if it has less than 20% of liquid.
- Tightly screw the cap back.
- Let it soak with e-liquid for 3 minutes before use

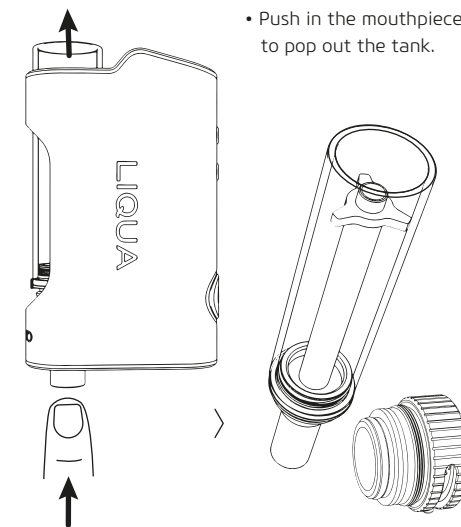
HOW TO CLEAN THE TANK

Suggested with flavor change

- Hold QUBE upside-down to open the tank.
- Unscrew a cap from the bottom of Qube.



- Push in the mouthpiece to pop out the tank.



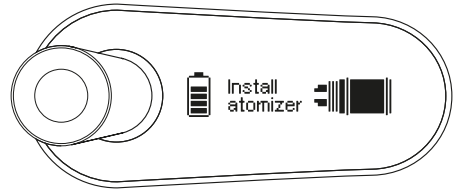
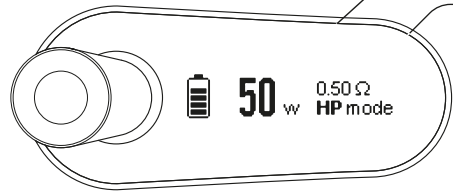
- Take out the atomizer from the cap
- Wash tank with warm tap water
- Dry it with tissue paper or with warm air
- Install new atomizer for best results

QUBE'S OLED DISPLAY

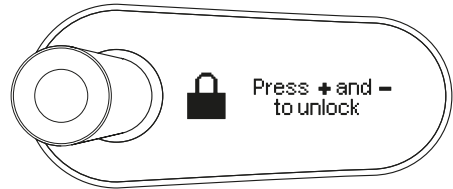
High resolution, organic LED display interface with easy navigation.

POWER LEVEL 20-50W
(30 STEPS OF ADJUSTMENTS BY 1W)

RESISTANCE OF QUBE ATOMIZER
IS SET TO 0.50 Ω AND
IS PERFORMING IN HP MODE.

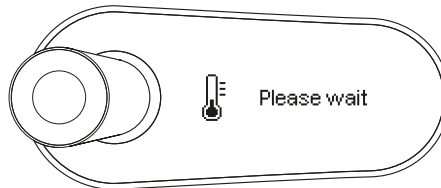


DETECTING NO ATOMIZER.
PLEASE INSTALL ATOMIZER INTO DEVICE.

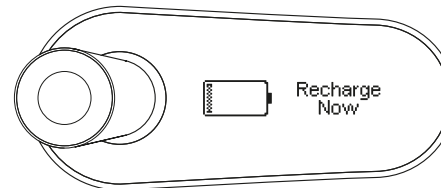


PRESS "+" AND "-" SIMULTANEOUSLY FOR 3 SEC TO LOCK/UNLOCK POWER ADJUSTMENT

PCBA OVER-HEAT PROTECTION



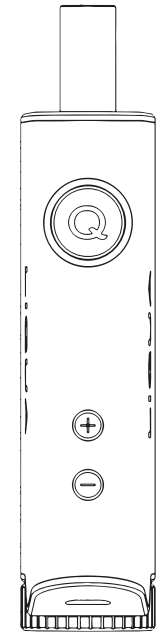
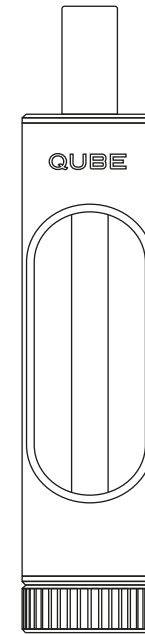
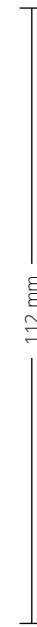
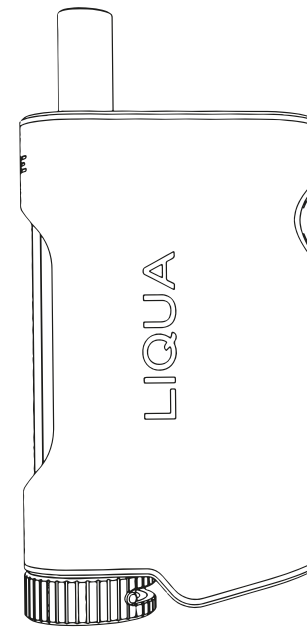
BATTERY LOW (CANNOT OPERATE BEFORE RECHARGE)



10 SEC LIMIT

10 SEC LIMIT FOR 1 PUFF

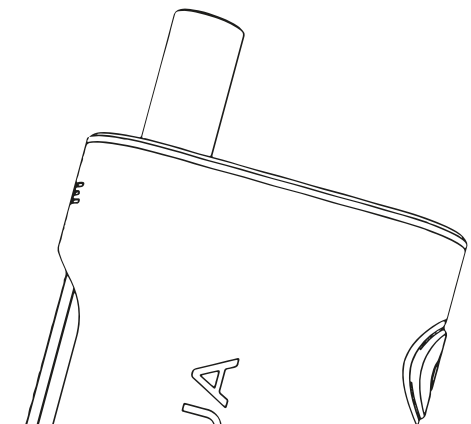
QUBE BASICS



210 g

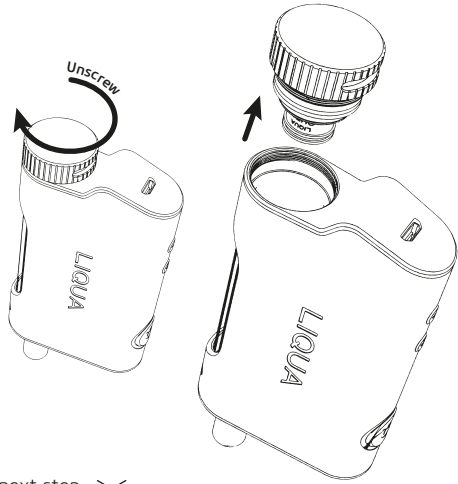
TANK	10ML PYREX GLASS	SIZE	55 X 24 X 112 MM
BATTERY	3000 MAH	POWER	50W CONTROL
WEIGHT	210G WITH BATTERY	CHARGING	5V 800mA

- WHAT'S IN THE BOX**
- 1 X LIQUA QUBE
 - 1 X MICRO-USB WIRE
 - 1 X SPARE GLASS TANK
 - 2 X ATOMIZER



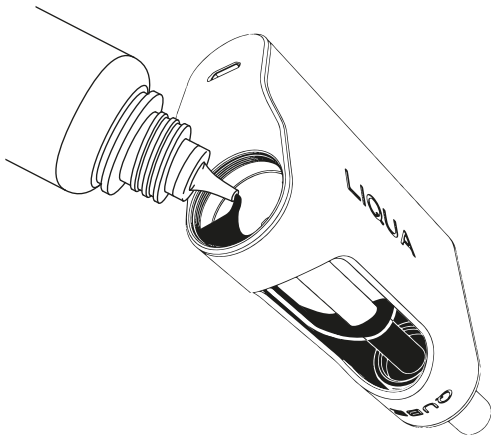
HOW TO REFILL WITH LIQUID

- Hold QUBE upside-down to open the tank.
- Unscrew a cap from the bottom of QUBE.



next step 

- Add e-liquid (recommended to use e-liquid with 30% VG and more) into the open end of the tank. Be careful not to get e-liquid in the air inlet.



- Tightly screw the cap back.
- New atomizers - let it soak with liquid for 3 minutes before use!

PRECAUTIONS. PLEASE READ CAREFULLY — THIS IS USEFUL.

1. If you're taking a flight or go to higher elevations — close airflow regulator and keep QUBE upside down to avoid leakage of liquid from the tank.
2. Do not attempt to disassemble or repair QUBE by yourself. If you have it broken — ask support from seller or contact us at support@ritchys.com
3. This product is equipped with a Lithium-Ion battery. Do not pierce, open, disassemble it, or use it in a humid and/or corrosive environment. Do not put, store or leave your product in or near sources of heat, in direct strong sunlight, in a high temperature location, in a pressurized container or in a microwave oven. Do not expose it to temperatures over 40°C (104 F). If the battery leaks and you come into contact with the leaked fluids, rinse thoroughly with water and seek medical attention immediately. Failure to follow these instructions could cause the Lithium-Ion battery to leak acid, become hot, explode or ignite and cause injury and/or damage.
4. Do not leave your battery charging for more than one day. Doing so runs the risk of overcharging the battery and shortening its total life span. If the device is not used for an extended period of time, the battery will slowly discharge and the device will need to be recharged before using it again.
5. **Do not soak in a water or any other liquid.**
Keep away from water or any other liquid.
6. Use only accessories that are LIQUA branded or certified by manufacturer.
7. Keep the device away from children. Do not use if you are under the legal age defined by local legal regulation.

WARRANTY AND LIMITED LIABILITY

This product is sold with a limited warranty and specific remedies are available to the original purchaser in the event the product fails to conform to the limited warranty of 1 year from the date on sales receipt. Receipt is required in order to claim warranty case. Atomizers and spare parts are not covered by this warranty. The product can differ from the one than is shown on box or in manual.

RITCHY warrants that this product, when delivered to you in new condition in the original packaging and used under normal conditions is free from any defects in manufacturing, material and workmanship.

MANUFACTURER SHALL NOT BE LIABLE FOR ANY SPECIAL, INCIDENTAL OR CONSEQUENTIAL DAMAGES, EVEN IF INFORMED OF THE POSSIBILITY THEREOF IN ADVANCE. Manufacturer is not responsible for inappropriate using of product (i.e. for another purpose) or in contradiction to use conditions.

Such as, failure to follow operating instructions, excess moisture, lightning, power surges, connections to improper voltage supply/batteries, unauthorized alteration or modifications to the original device including refinishing or etching; loss of or damage to the atomizer or its internal components. Dropping the device and causing internal damage is not covered. Using improper batteries or magnets on your batteries will void the warranty. Taking the device apart and removing the circuit board can cause damage to the internal components and this will void the warranty.

We inspect every device before it ships to ensure that it arrives to you in perfect condition. If there are any problems with the finish, this should be reported to us within 24 hours of receiving your new device. Beyond this period, we cannot replace the product for scratches, blemishes, fading. As with any coated product they can wear or scratch with daily use. To keep the finish looking good never store in a location where it can get scuffed or damaged by keys, coins or other objects that might come in contact with the tube and scratch the finish.

During the warranty period, we will repair or replace free of charge, any defective parts within a reasonable period of time.

WHAT YOU MUST DO TO OBTAIN WARRANTY SERVICE:

Contact RITCHY via e-mail at support@ritchys.com with an explanation of the problem or reason for return of the product. Within 2 working days RITCHY will provide you specific instructions about next steps.

THE PROVISIONS OF THIS WARRANTY ARE IN LIEU OF ANY OTHER WARRANTY, WHETHER EXPRESSED OR IMPLIED, WRITTEN OR ORAL, INCLUDING ANY WARRANTY OF MERCHANTABILITY OR FITNESS FOR A PARTICULAR PURPOSE UNLESS THESE WARRANTIES ARE REQUIRED BY LAW. IN NO EVENT SHALL RITCHY BE LIABLE FOR LOSS OF, DAMAGE TO OR FOR SPECIAL, INCIDENTAL, CONSEQUENTIAL, OR INDIRECT DAMAGES HOWSOEVER CAUSED INCLUDING WITHOUT LIMITATION THE REPLACEMENT OF EQUIPMENT AND PROPERTY, WITH YOUR RITCHY PRODUCT.

For more information please visit us at www.liqua.com/Qube

